



atharvTM
Agro Machinery



Prosperous Farming
Huge Profit



Atharv Agro Machinery is an agriculture machinery brand of Halcyon Agrimech Pvt. Ltd. that manufactures high quality and durable farm equipments and machinery. The company was established in the year 2021 with a mission to offer the best products that can solve farmer's agricultural problems, be it for crop production or field maintenance. Our all farm equipments and machinery production is done at our manufacturing unit located in Gandhinagar, Gujarat, and supplies in all over India. We have an experienced team of professionals who are capable of manufacturing any kind of farm equipment or machinery you require. We have been able to maintain a good reputation among our customers due to the quality products we offer them.

At Atharv Agro Machinery, we are committed to provide the best farm equipments and machinery. We understand that farming is a tough job, and we want to help all farmers succeed. Our goal is to provide high quality and durable farm equipments and machinery for all farming needs. Our range of products includes Rotavator (Rotary Tiller), Sub Soiler, Plough, Vedic Bilon Machine and many more. Our range of farm machinery is widely popular among farmers because of their high performance and long service life. We provide various models of all our farm machinery at affordable prices with quality services.

Our commitment towards customer satisfaction has helped us grow as a agriculture machinery brand over the years and we are looking forward to providing you with more quality products in the years to come!

Rotavator

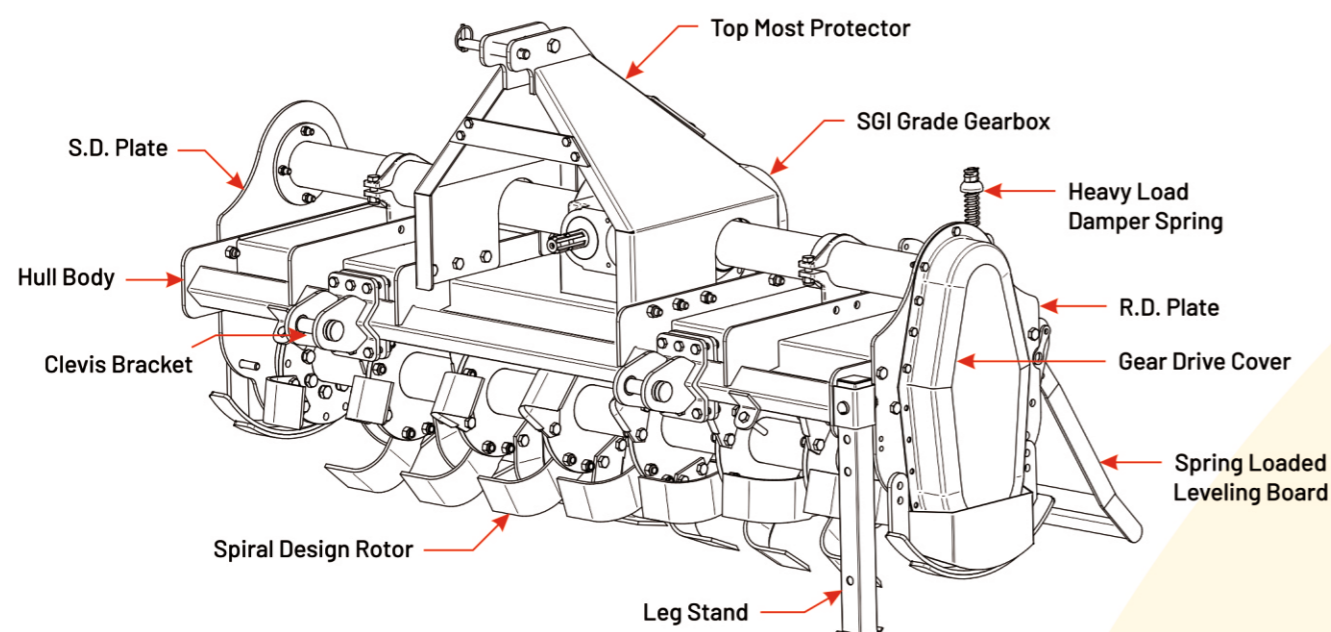
Atharv Rotavator is the smartest and multi-speed machine developed indigenously. It is specially designed for large scale operation and heavy duty application. Its sturdy structure ensures fine chopping of well-grounded crop residue and deeper tillage. Best suited to chop off thick and well routed crop residue. Its specially designed power transmission system reduces the fuel consumption significantly.

Product Features

- ✔ HEAVY DUTY & MULTI SPEED GEAR BOX
- ✔ GEAR DRIVE (540 / 1000 R.P.M.)
- ✔ LOW FUEL CONSUMPTION
- ✔ LOW MAINTENANCE
- ✔ DUST PROOF COVER
- ✔ WORKING WELL ON HARD, MUDDY & TILLED LAND

Technical Specification

Technical Details	MINI SERIES			REGULAR HEAVY SERIES		
	3 ft.	3.5 ft.	4 ft.	5 ft.	5.5 ft.	6 ft.
Height	949 mm			1065 mm		
Width	670 mm			1005 mm		
Length	1023 mm	1206 mm	1389 mm	1765 mm	1910 mm	2060 mm
Weight	167 kg.	177 kg.	201 kg.	415 kg.	425 kg.	440 kg.
Tilling Length	887 mm	1070 mm	1253 mm	1490 mm	1660 mm	1780 mm
Tilling Depth	152 mm (6 inch)			165 mm (6.5 inch)		
Tractor Req. H.P.	12 to 22	15 to 25	25 to 35	35 to 40	45 to 50+	
P.T.O. Speed (R.P.M.)	540			540 / 1000		
Blade Type	L & J			C & L		
No. of Blades	16	20	24	36	42	



Mobile Shredder

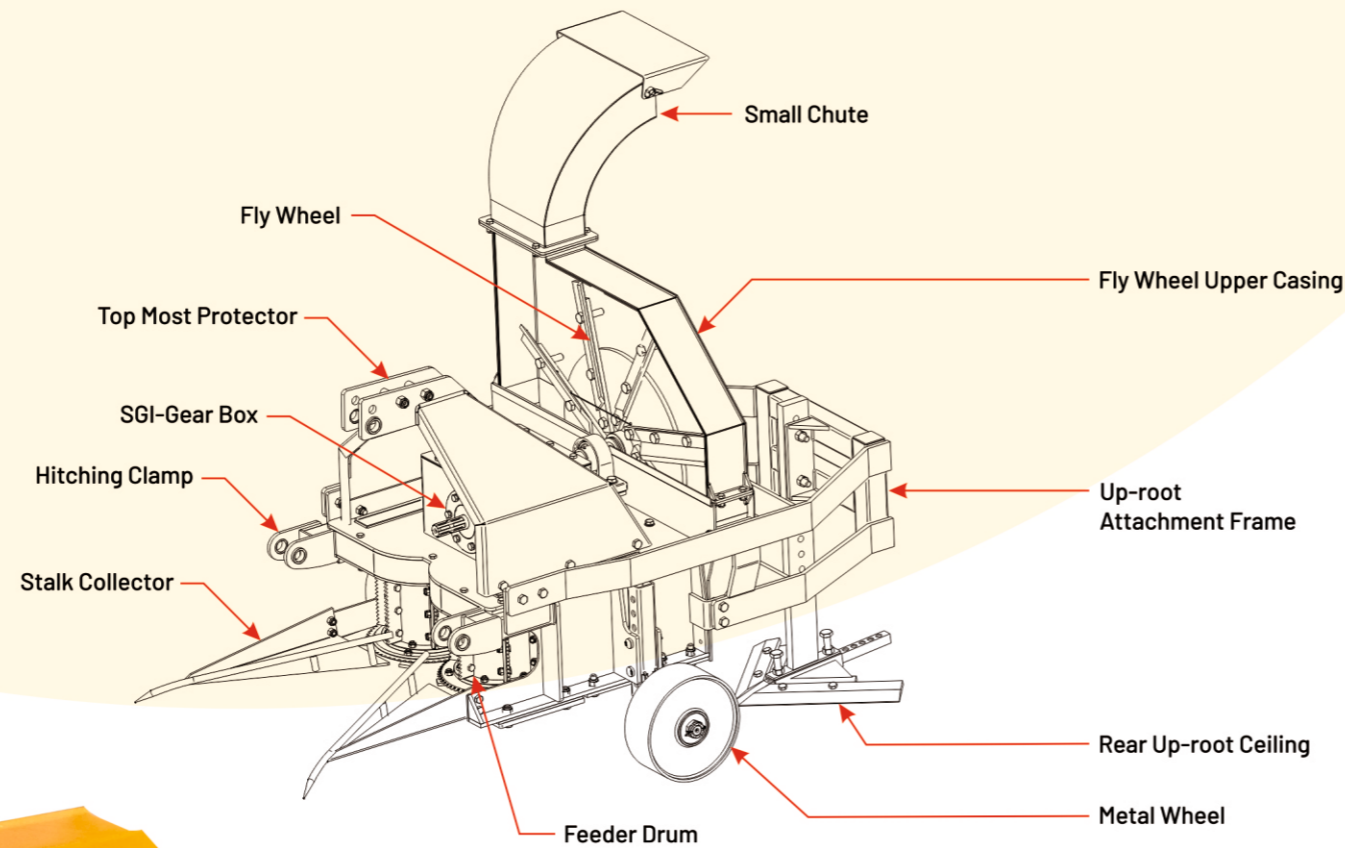
Atharv Mobile Shredder is specially designed with centre drive mobile cutting facility which allows the shredder to line up in the balanced position. So that it avoids excess vibration during body lifting and turning phase of shredder and secure the service life of the tractor.

Product Features

- ✓ USED FOR CLEAR STALKS OF COTTON, CASTOR ETC.
- ✓ IT IS BEST OPTION TO RESIDUES CROP IN THE FARM INSTEAD OF BURNING IT
- ✓ SAVING OF TIME AND EFFECTIVE
- ✓ IMPROVES SOILS ORGANIC CONTENT BY BRINGING MACRO AND MICRO NUTRIENT BACK TO SOIL
- ✓ USED FROM LAW H.P. TRACTOR (30 H.P. & ABOVE)

Technical Specification

Height	1480 mm	No. of Raw	1
Width	1200 mm	Metal Wheel	5 inch (130 mm)
Length	1920 mm	Disc Cutter	2
Weight	610 kg.	Shredding Knife (No.)	8
Transmission Type	Gear Drive	Drum Blades (No.)	24
Tractor Req. H.P.	40+	Exhaust Direction	60 Degree Manual
P.T.O. Speed (R.P.M.)	540 / 1000		



Plough

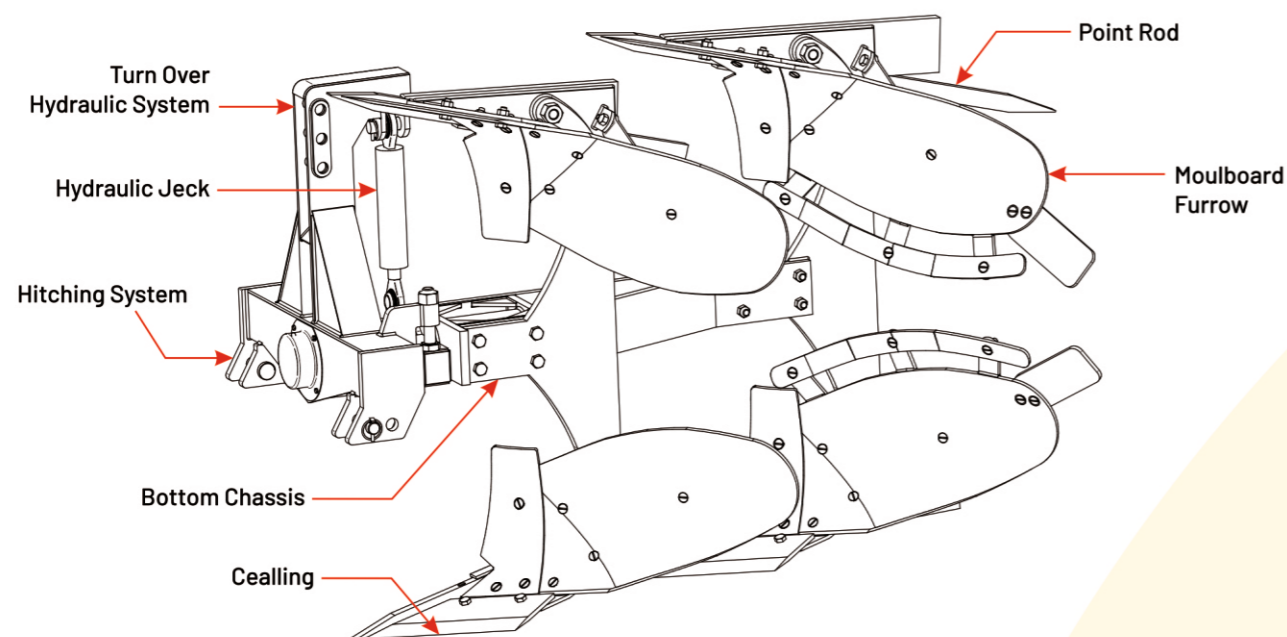
Atharv Plough is one of the best machinery developed to prepare farm land for seed bed. It is specially designed for large scale operation and heavy duty application. Our plough series with great design meet with tractor horse power, and hassle free tractor tyre slippage. Our plough series have been made of strong material and long lasting durability. Plough series models are segregated by their weight and tyne distance.

Product Features

- ✓ HYDRAULIC TURN OVER DEVICE
- ✓ BORON GRADE SHOWEL & POINT ROD
- ✓ 180 DEGREE ROTATIONAL
- ✓ ENHANCED BALANCING FOR LESSER STRESS ON TRACTOR

Technical Specification

Technical Details	DELTA 9	DELTA 10	DELTA 12	DELTA 14
No Furrow	Two			
Frame	125 mm x 20 mm Flate & 80mm Round		125 mm x 20 mm Flate & 100mm Round	
Tyne Thickness	25 mm	25 mm	30 mm	35 mm
Working Depth (inch)	8 to 14 inch			
Height x Width x Length	1250 mm x 1075 mm x 1760 mm			
Weight (kg.)	350 kg.	430 kg.	445 kg.	460 kg.
Operating System	Hydraulic Jack			
Power Required (H.P.)	35	40 to 45	45 to 50	50 to 65



Disc Mount Harrow

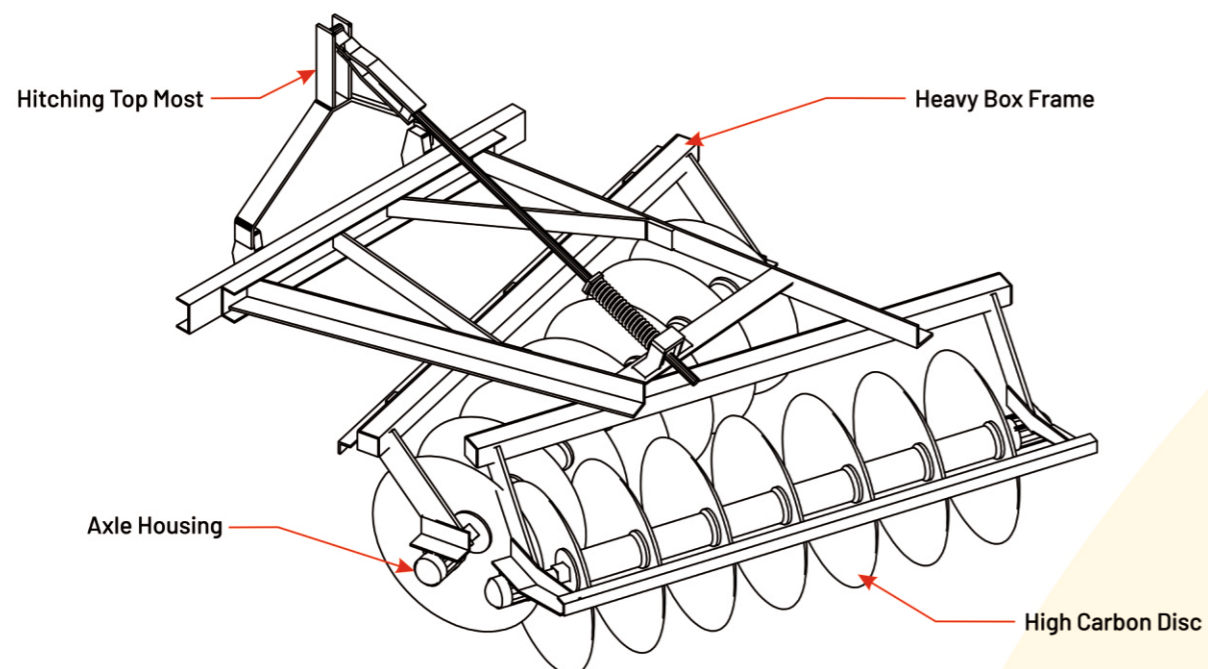
Disc Harrow is too used as a tractor attachment for pulverizing and smoothing of soil surface. It breaks-up big chunks of soil along with trash, weeds and crop residue hence helping in the preparation of seed beds. It's an agriculture implement that is used to till the soil where crops are to be planted, and used to chop up unwanted weeds.

Product Features

- ✓ HEAVY RIGID BODY STRUCTURE
- ✓ HIGH CARBON STEEL DISC
- ✓ EASY GANG ANGLING ADJUSTMENT WITH LOCKING DEVICE
- ✓ SPACERS AND BEARING HOUSINGS MADE FROM STEEL FOR TROUBLE FREE LONG WORKING LIFE

Technical Specification

Technical Details	HAM-120	HAM-140	HAM-160
Working Width	4.75 ft.	5.5 ft.	6.2 ft.
Working Depth	140 mm	180 mm	225 mm
Dia of Disc	22 inch		
Thickness of Disc	3.5 mm		
No. of Disc	12	14	16
Height	1300 mm	1300 mm	1300 mm
Width	1660 mm	1880 mm	2100 mm
Length	1960 mm	2185 mm	2580 mm
Weight	330 kg.	380 kg.	480 kg.
Linkage	CAT - II		
Power Required (H.P.)	25 to 35	35	45+



Vedic Bilona

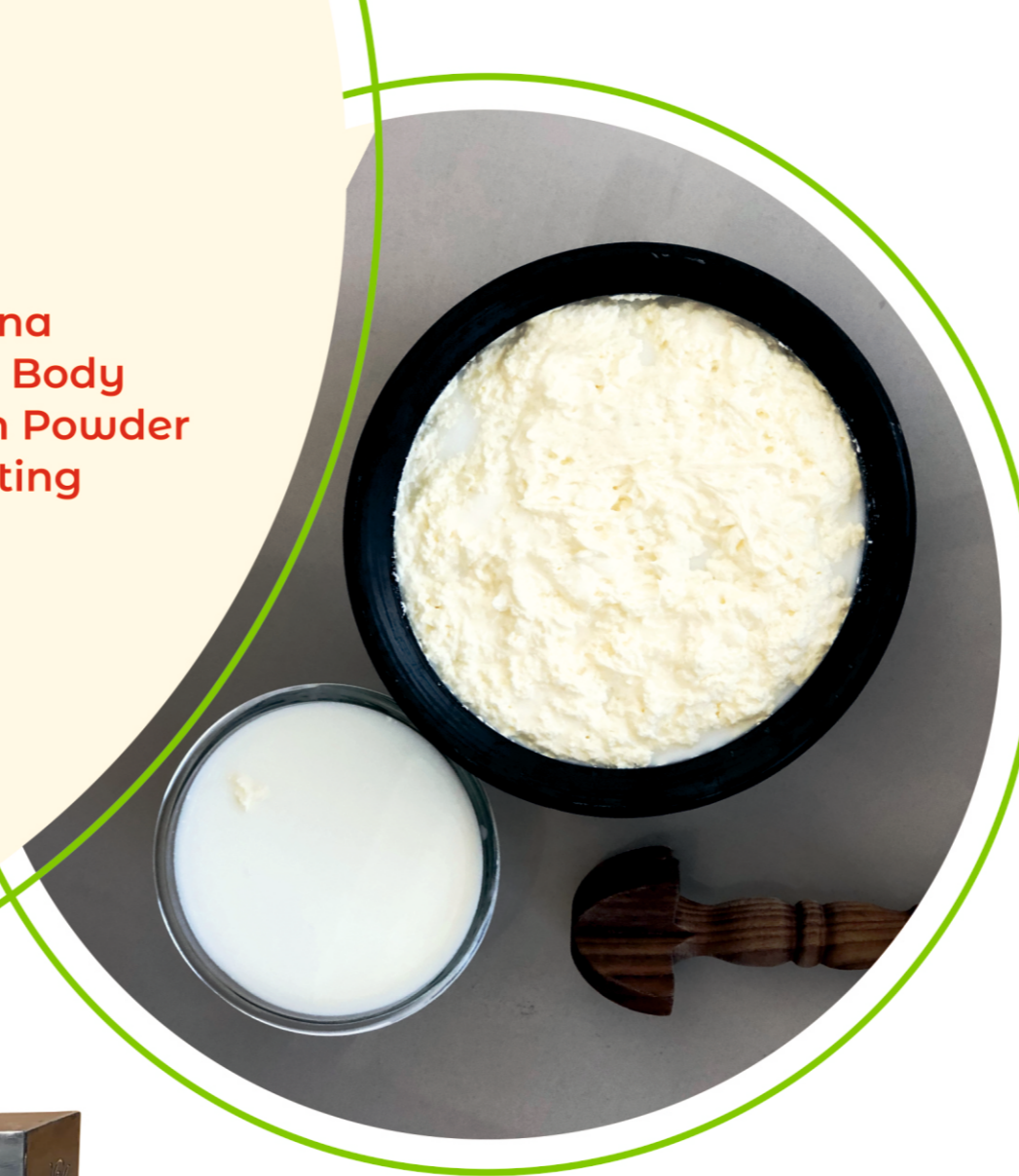
Along with the automation provided, we have made Vedic Bilona Machine in such a way that all major points in ancient process of curds churning are incorporated. All parts are made with best technology to provide automation, without compromising the ancient churning procedure which is used since many centuries.

Product Features

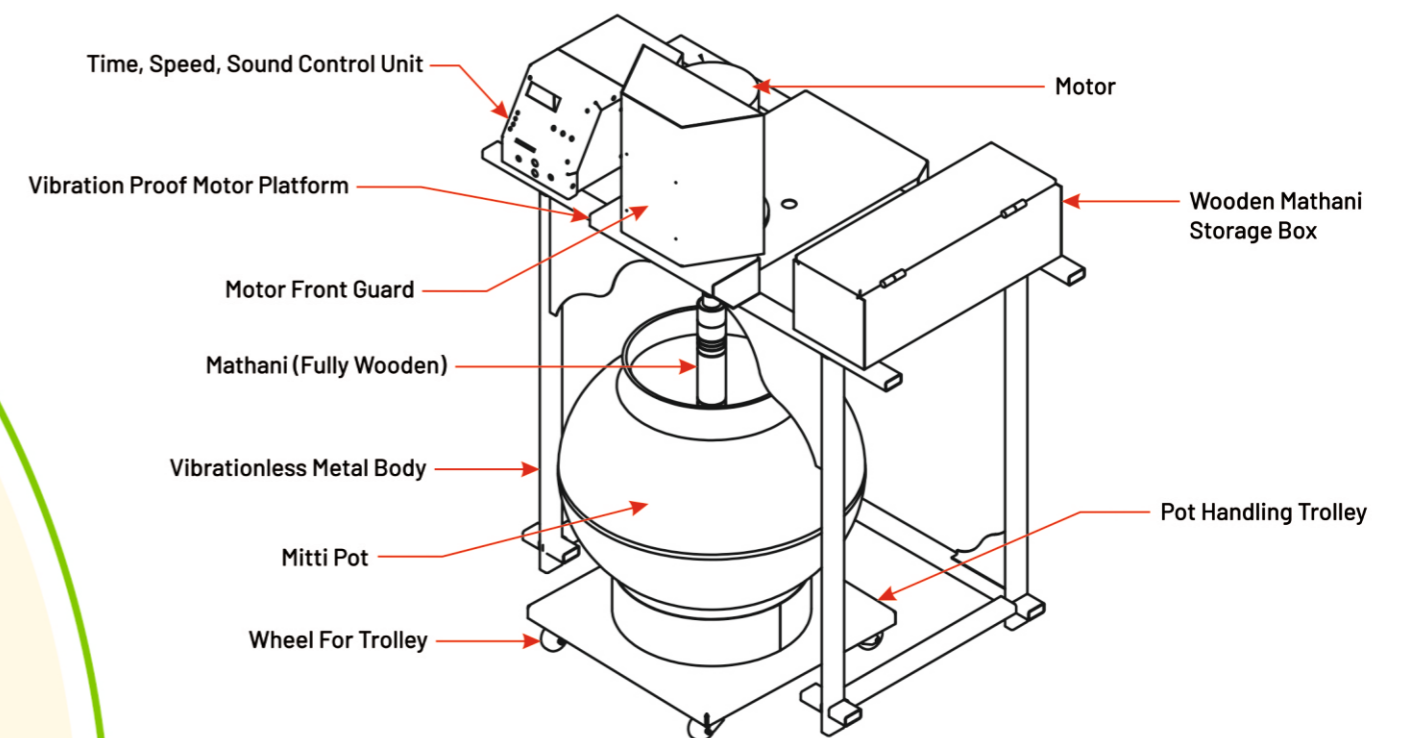
- ✔️ FRICTIONLESS CHURNING IN FORWARD-REVERSE BY DIRECTION BY ATTRACTION-REPULSION METHOD
- ✔️ CHURNING WITH WOODEN TOOL AT MODERATE SPEED (SPEED SETTING)
- ✔️ CHURNING IN EARTHEN POT (MITTI KI HANDI)
- ✔️ EASY TO OPERATE CHURN TIME SETTINGS
- ✔️ CONTROLLER BASED (WITHOUT MECHANICAL PARTS)
- ✔️ SOUND / LED INDICATION AND MANY MORE...

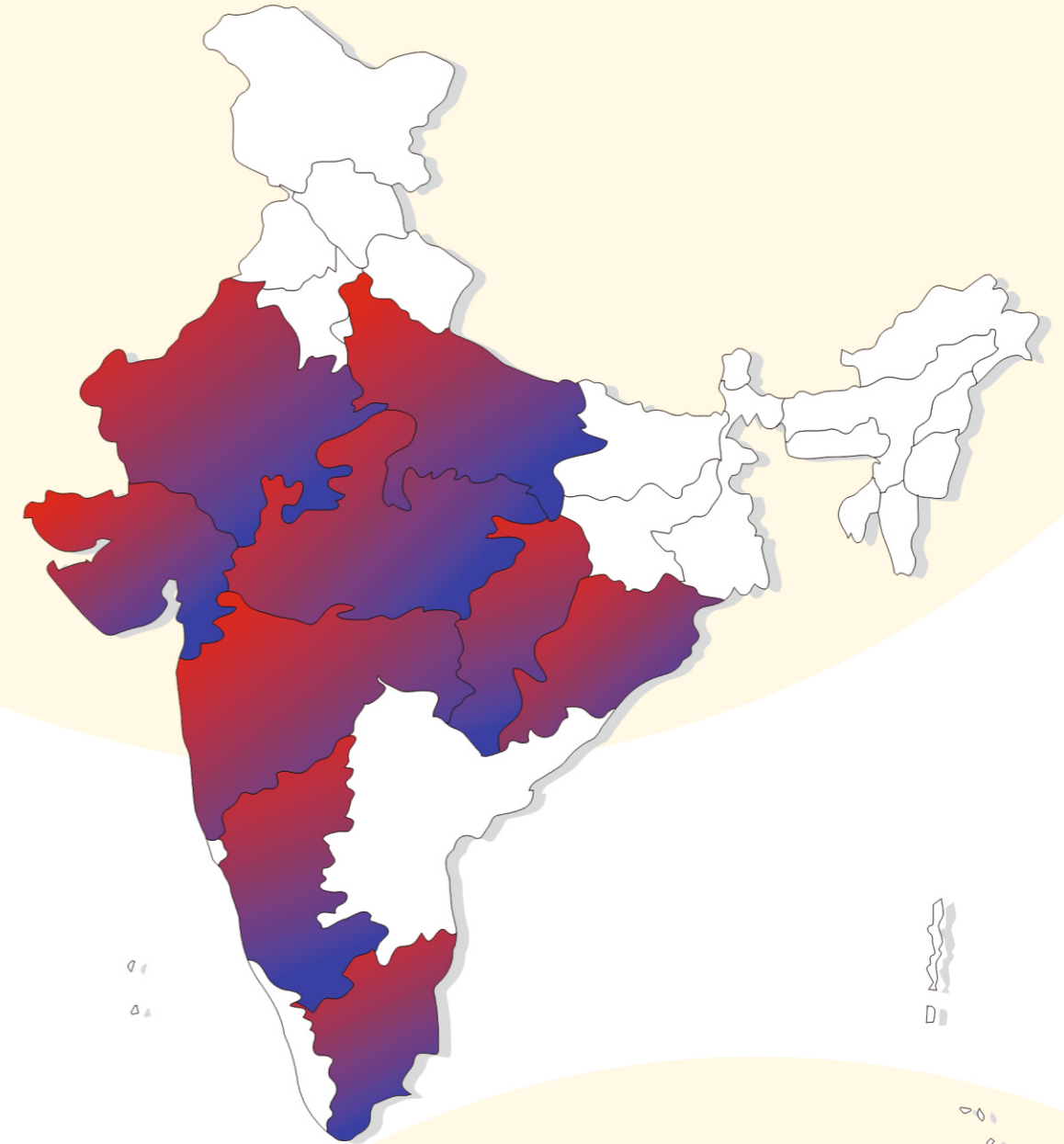


**Bilona
M.S. Body
with Powder
Coating**



**Bilona
Stainless Steel
Body**





WE HAVE A HUGE CUSTOMER NETWORK IN

- Gujarat
- Maharashtra
- Rajasthan
- Madhya Pradesh
- Uttar Pradesh
- Chattisgarh
- Odisha
- Karnataka
- Tamilnadu

Doubling Farmers' Income Through Technology.



HALCYON AGRIMECH PVT. LTD.

30, Prime Industrial Park - 2, Nr. Veer Plastic,
Opp. Gopala Polylast, Santej, Ta. Kalol,
Dist. Gandhinagar, Gujarat - 382721.

Call +91 999 8714 220, +91 990 901 4363
Email info@atharvagromachinery.com



www.atharvagromachinery.com